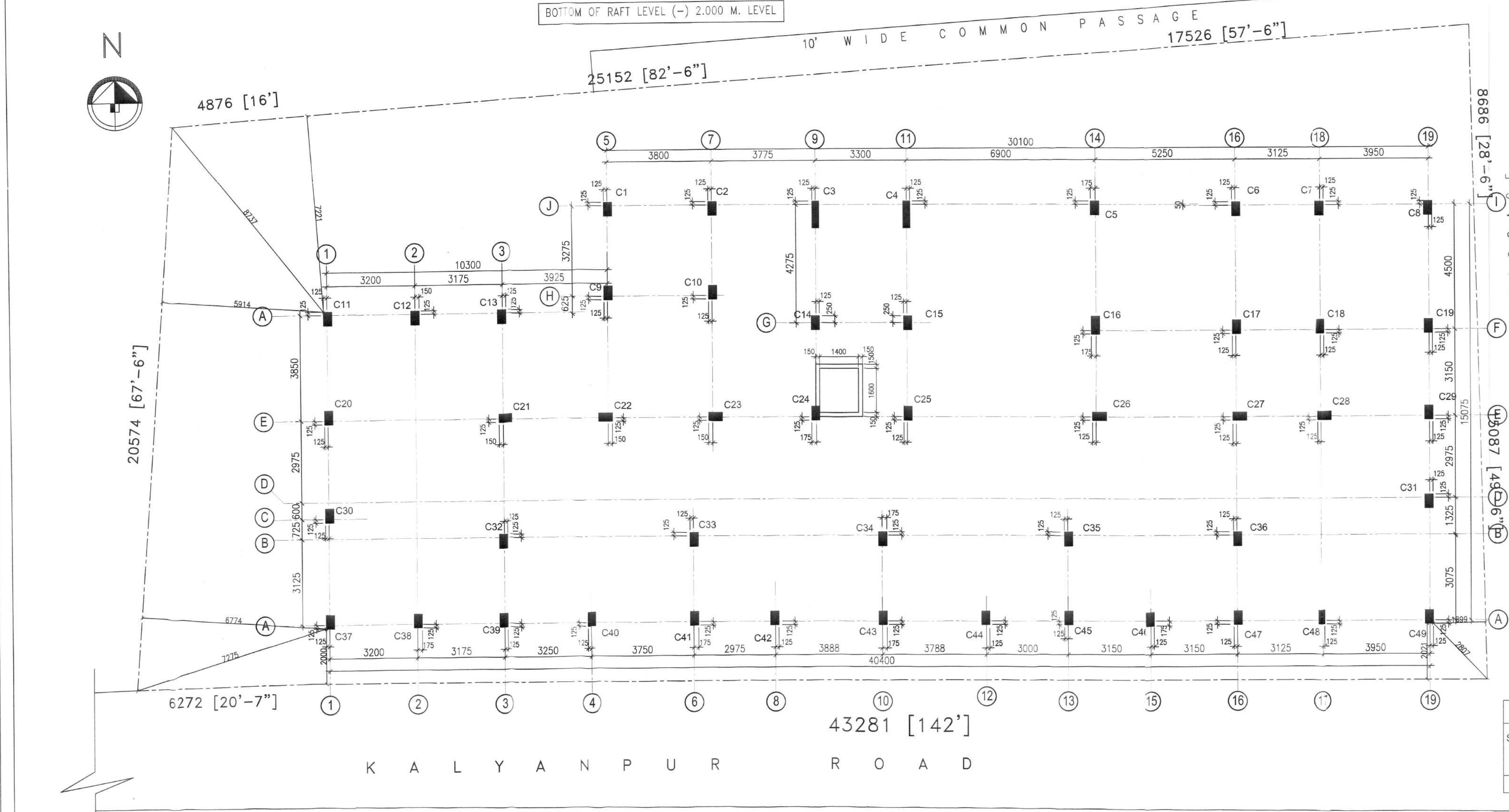


PLAN AT RAFT LEVEL

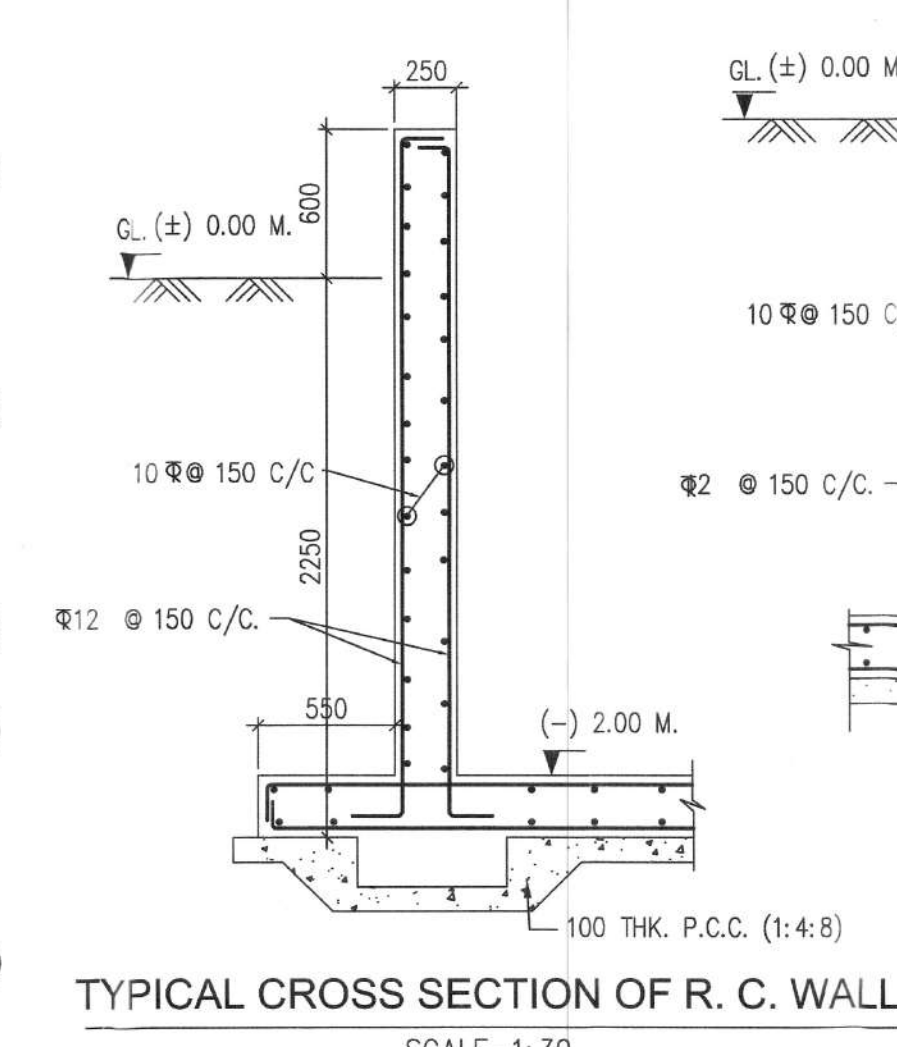
SCALE-1:100

BOTTOM OF RAFT LEVEL (-) 2.000 M. LEVEL



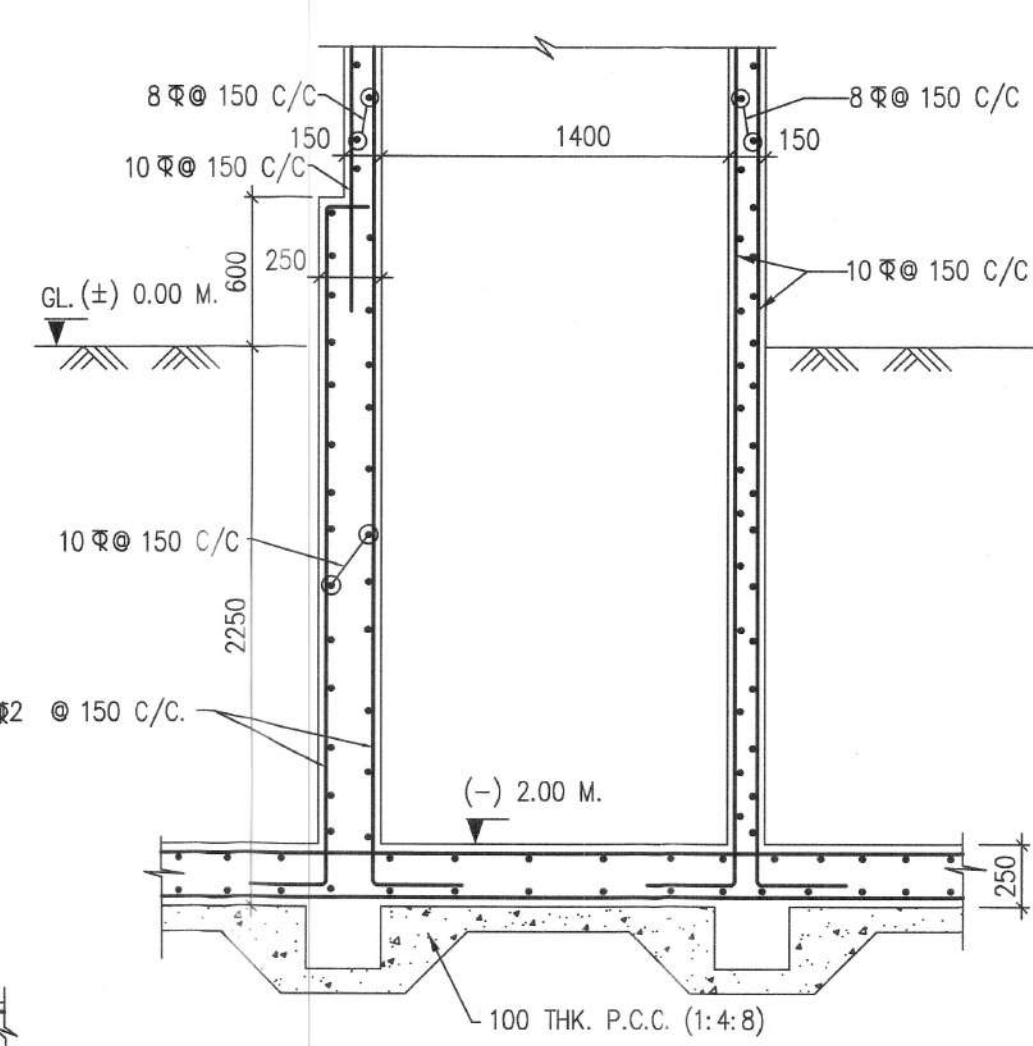
CENTER LINE LAYOUT

SCALE - 1 : 100



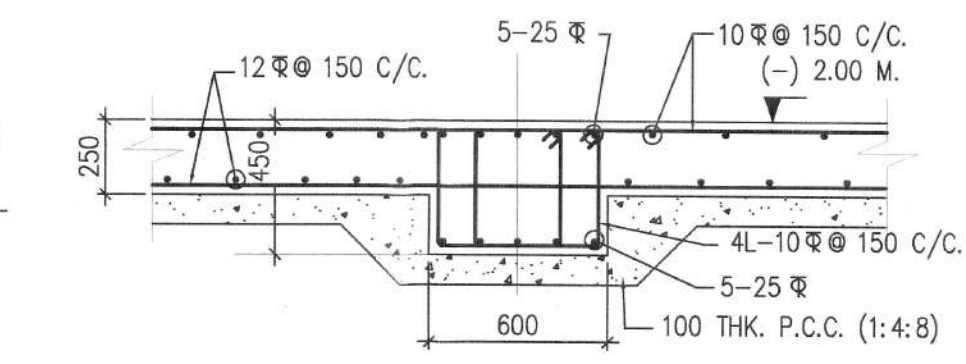
TYPICAL CROSS SECTION OF R. C. WALL

SCALE-1:30



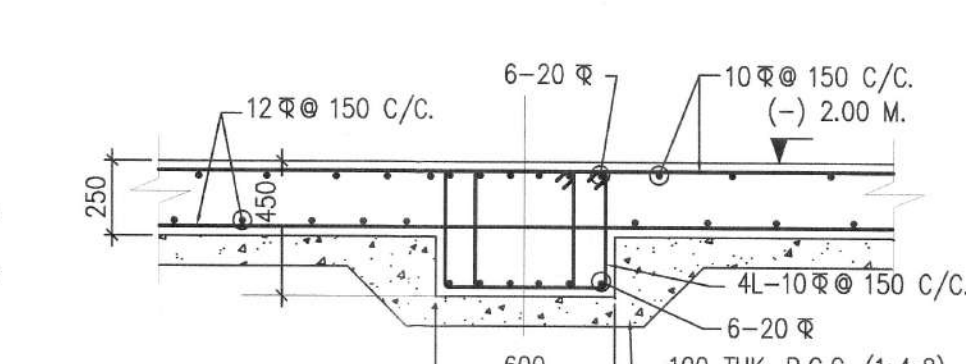
CROSS SECTION OF LIFT PIT

SCALE-1:30



DETAIL OF RAFT BEAM MKD.-RFB2

SCALE-1:25



DETAIL OF RAFT BEAM MKD.-RFB1

SCALE-1:25

SCHEDULE OF COLUMNS			
COLUMN MKD.	COLUMN SIZE & REINFORCEMENT FROM FOUNDATION TO 2ND FLOOR LEVEL	COLUMN SIZE & REINFORCEMENT FROM 3RD FLOOR LEVEL TO ROOF	
C1, C2, C6, C7, C8, C9, C10, C11, C13, C14, C17, C18, C19, C29, C37, C39, C40, C41, C42, C43, C44, C45, C46, C47, C49	300X500 8 NOS. 16 Φ 8 Φ BINDER @175c/c (2/SETS)	300X500 8 NOS. 16 Φ 8 Φ BINDER @175c/c (2/SETS)	
C5, C15, C25, C31	300X500 12 NOS. 20 Φ 8 Φ BINDER @175c/c (2/SETS)	300X500 6 NOS. 20 Φ 6 NOS. 16 Φ 8 Φ BINDER @175c/c (2/SETS)	
C3, C4	250X950 4 NOS. 20 Φ 10 NOS. 16 Φ 8 Φ BINDER @175c/c (2/SETS)	300X500 14 NOS. 16 Φ 8 Φ BINDER @175c/c (2/SETS)	
C12, C20, C21, C22, C23, C24, C26, C27, C28, C30, C32, C33, C34, C35M C36, C38, C48	300X500 6 NOS. 20 Φ 4 NOS. 16 Φ 8 Φ BINDER @175c/c (2/SETS)	300X500 10 NOS. 16 Φ 8 Φ BINDER @175c/c (2/SETS)	
C16	300X650 12 NOS. 20 Φ 8 Φ BINDER @175c/c (2/SETS)	300X650 6 NOS. 20 Φ 6 NOS. 16 Φ 8 Φ BINDER @175c/c (2/SETS)	

LAP LENGTH OF COL. ROD SHALL BE 40 X DIA. OF ROD. NOT MORE THAN 90% ROD LAPPED AT ANY SECTION.

SCHEDULE OF BEAMS								
BEAM MKD.	SIZE	SUPPORT REINFORCEMENT			SPAN REINFORCEMENT			REMARKS
		TOP	BOTTOM	STIRRUPS	TOP	BOTTOM	STIRRUPS	
RFB1	600X450	6-20 Φ	6-20 Φ	4L-10 Φ @ 150 C/C.	6-20 Φ	6-20 Φ	4L-10 Φ @ 150 C/C.	TOP OF RAFT BEAMS
RFB2	600X450	5-25 Φ	5-25 Φ	4L-10 Φ @ 150 C/C.	5-25 Φ	5-25 Φ	4L-10 Φ @ 150 C/C.	(-) 2.000 M.

SCHEDULE OF SLABS						
SLAB MKD.	THICKNESS	REINFORCEMENT ALONG SHORTER DIRECTION		REINFORCEMENT ALONG LONGER DIRECTION		REMARKS
		AT SPAN	AT SUPPORT	AT SPAN	AT SUPPORT	
S1	250	12 Φ @ 150 C/C.	12 Φ @ 150 C/C.	12 Φ @ 150 C/C.	12 Φ @ 150 C/C.	RAFT SLAB

- NOTES**
- ALL DIMENSIONS ARE IN MM. UNLESS OTHERWISE SPECIFIED.
 - CONC. MIX FOR ALL R.C.C. WORK SHALL BE GRADE M25.
 - ALL REINFORCING STEEL FOR R.C.C. WORK SHALL BE COLD TWISTED DEFORMED ROD OF GRADE Fe-500 CONFORMING TO I.S. CODE : 1786 - 1979 (LATEST).
 - CUTTING, ENDING, BINDING, PLACING & LAPPING OF REINFORCING STEEL SHALL BE AS PER STANDARD PRACTICES. CONFORMING TO I S CODE : 2502 (LATEST).
 - CONCRETING WORK SHALL CONFORM TO I.S. CODE : 456.
 - MIN. CLEAR CONC. COVER SHALL BE AS FOLLOWS : SLAB -20 mm, BEAM-30 mm, FOUNDATION-50 mm, COL-40 mm. TIE BEAM-30 mm.
 - FOR ALL R.C.C. WORK, WATER & CEMENT RATIO SHALL BE BETWEEN 0.50 TO 0.55 WITH A MAX. SLUMP 100.

PROJECT TITLE:
 PROPOSED B+G+IV STORIED RESIDENTIAL BUILDING PLAN AT VILLAGE KHODARBAZAR UTTOR, L.R. DAG NO-133, 133/1372, 135/1373,134 MOUZA-KHODARBAZAR, J.L. NO-40, P.S.-BARUIPUR, DIST-24 PGS. (S)UNDER KLYANPUR GRAM PANCHAYAT ZILLA PARISHAD , 24 PARGANAS (SOUTH).

DRAWING TITLE:
 CENTER LINE LAYOUT & COLUMN DETAILS

WORKING DRAWING-W01
 DRAWN BY-PIYALI PATRA CHECKED BY-M.M. SCALE-AS NOTED
 REVISED ON- DATE-20/10/2022
 APPROVED BY-M.M. JOB NO.-
 DRAWING NO. -WORKING DRAWING W01 REV. NO.-

CONSULTANT:
ARCHSTUDIO
 CONSULTANT I, ARCHITECTURE & INTERIOR
 CONTACT NO.-90048660/9831146262
 EMAIL: ARCHSTUDIO04@gmail.com

